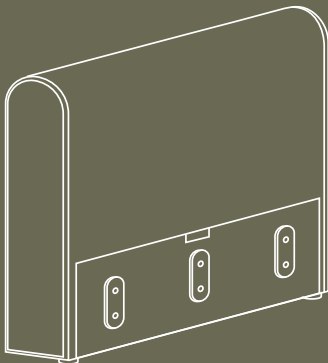


Bangalow Modular Sofa Armrest/Backrest Module

Click the button
to watch the
assembly video

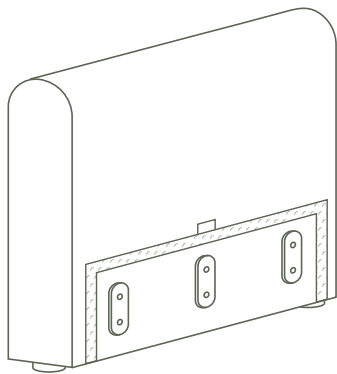


Kood

What's in the box*

*Not to scale

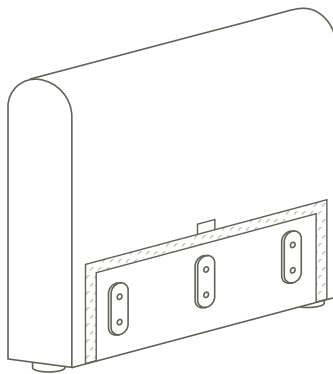
BOX 1



x1

Large
Armrest/Backrest
Module Frame

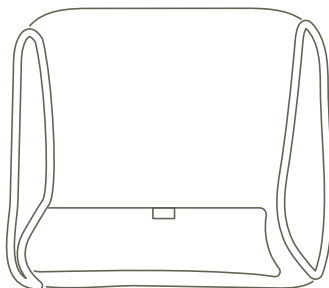
BOX 2



x1

Large
Armrest/Backrest
Module Frame

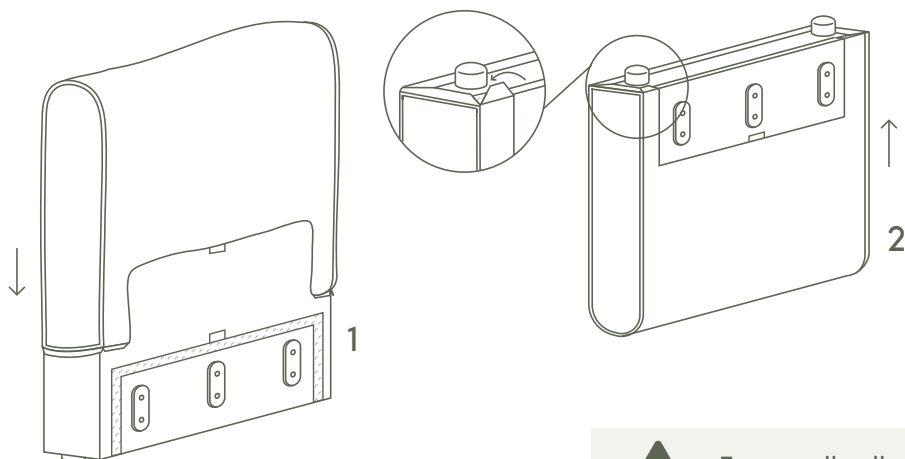
BOX 3



x2

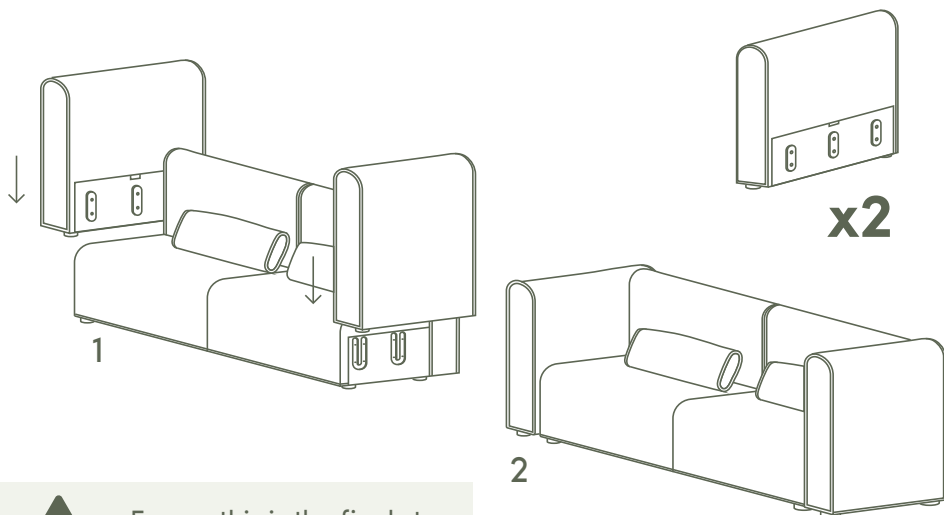
Large
Armrest/Backrest
Module
Cover

- 1.** Grab the armrest/backrest module cover, align the frame label with the cover label then tug the cover onto the frame and secure the velcro in place. Repeat.



Ensure all yellow tags align

- 2.** Align the wedge brackets to connect the large armrest/backrest module to the side modules and slide all the way down.



Ensure this is the final step of the entire assembly

Product Information and Care

LINING FABRIC

Regular Care (Weekly)

- Vacuum regularly using low suction.
- Protect from direct sunlight.

Spot Cleaning

- Remove any spills immediately by gently blotting any liquid with a clean cloth.
- Scoop up any solids before blotting the remaining liquid.
- Use a mild detergent to gently remove any loose soilage.
- Do not scrub with a sti brush.
- Use a clean cloth to blot out any excess liquid.
- Avoid over wetting as this may result in a water mark.
- Allow the fabric to air dry in a well ventilated area away from direct sunlight.

NOTE: PRETEST THE CLEANING METHOD ON A HIDDEN AREA OF THE SOFA. IF CHANGE IN COLOUR, OR TRANSFER DO NOT CONTINUE.

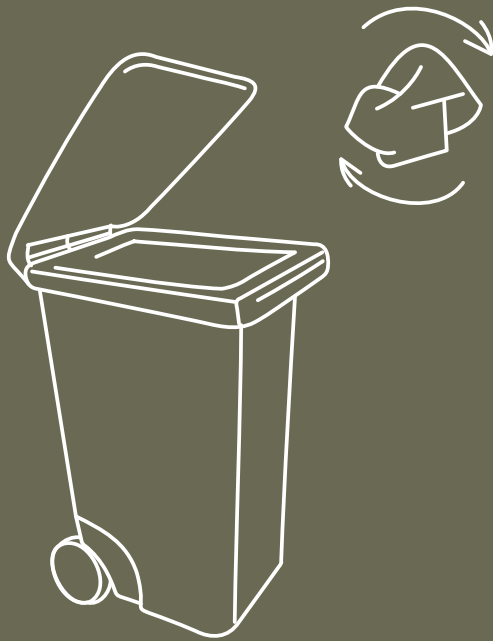
PILLING

Pilling can occur occasionally as a result of normal daily wear and should not be considered a fault. Fibre pills can be removed with a battery operated pilling tool, available from most haberdashery stores.

REMOVABLE COVERS

For correct care of the removable covers refer to the care label inside covers for additional cleaning instructions.

WARNING: CARELESS USE OF CIGARETTES AND MATCHES COULD SET FIRE TO THIS PRODUCT.



Don't forget to recycle.

kóala